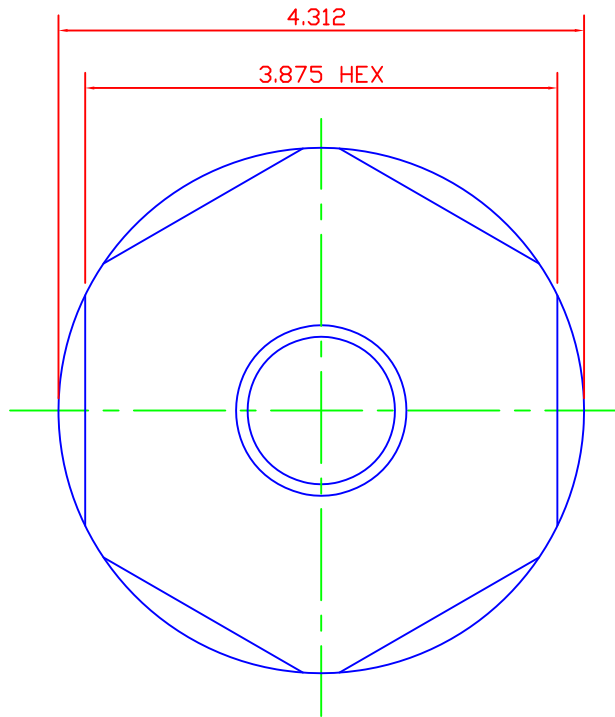
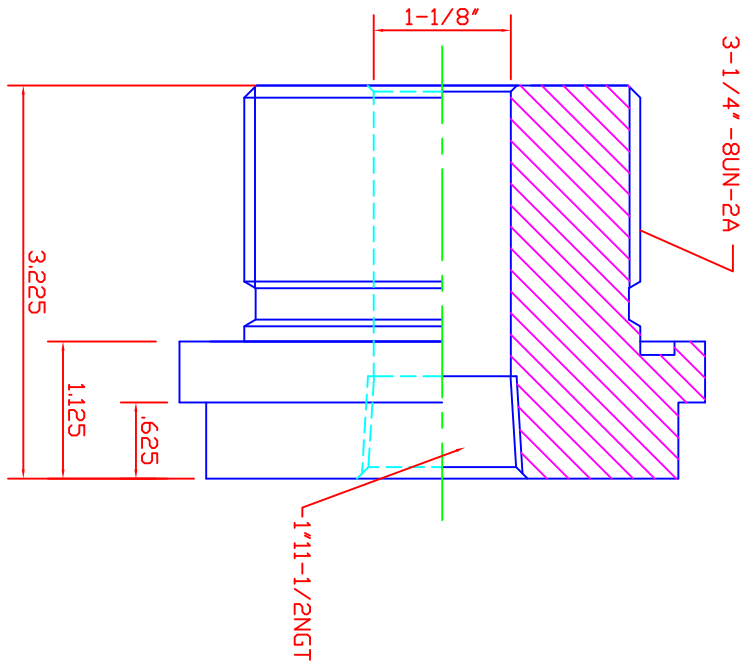


9-26-96 DATE	1"NGT BULLPLUG DESCRIPTION	9146-100 PART NO.
		1040 / 1045 CARBON STEEL MATERIAL



9146-100

DRAWING NO.

WESTERN VALVE

114 E. 46th Amarillo, Texas 79105 P.O. Box 2446 806-373-6811 fax 806-373-5971